

# Portable Axle Scale



## Features

*Easy installation within 10 minutes and can be set up by one person*

*Offers Dynamic or Static weighing options*

*Dynamic weighing done while truck is moving*

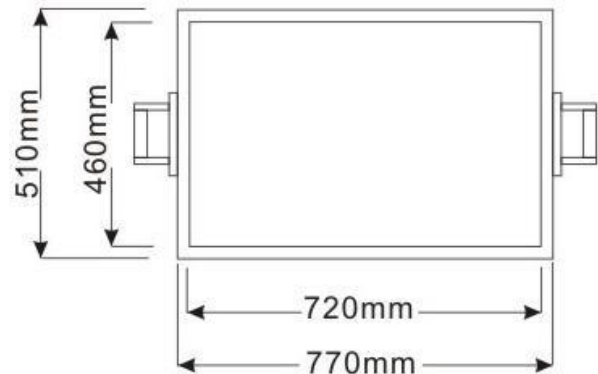
*Total weight displayed after all axels have been weighed*

*18mm Ultra thin and lightweight design*

*20 Load cells for high precision weighing*

*Digital Controller / Printer in robust carry case for ultimate portability*

*Weigh pads weighs only 19kg's*



<b>Capacity</b>	<b>10t, 20t, 40t</b>
<b>Accuracy</b>	<b>1% Static 3% Dynamic</b>
<b>Overload</b>	<b>200% F.S.</b>
<b>Operating Temperature</b>	<b>-10°C ~ +55°C</b>
<b>Material</b>	<b>High Strength Aluminium Alloy</b>

